



Professionally Driver Fitted

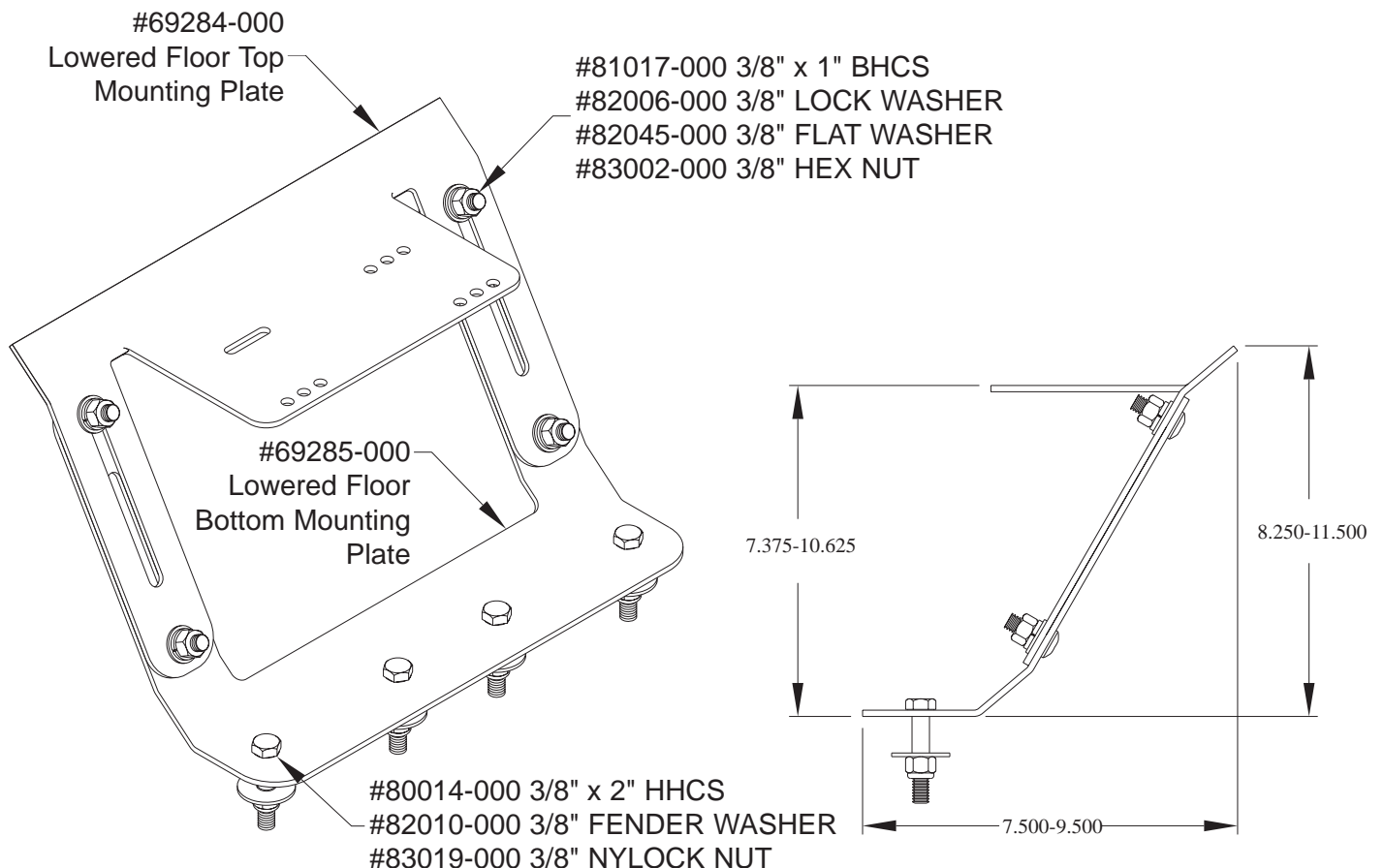
(800) 488-7688

www.mobilityproductsdesign.com

(FOOT PEDAL GUARD ADJUSTABLE MOUNTING PEDESTAL - 69286-000)

INSTALLATION INSTRUCTIONS

1. Use (4) 3/8" x 1" BHCS (#81017-000), (4) 3/8" Flat Washer (#82045-000) (4) 3/8" Lock Washer and (4) 3/8" Nut to assemble the Lower Floor Top Mounting Plate (#69284-000) and the Lower Floor Bottom Mounting Plate (#69285-000), as shown below. Do Not Tighten yet.
2. The Lower Floor Top Mounting Plate (#69284-000) and the Lower Floor Bottom Mounting Plate (#69285-000) can be trimmed to accommodate a Transfer Seat Base, if applicable.
3. Use (4) 3/8" x 2" HHCS (#80014-000), (4) 3/8" Fender Washer (#82010-000) and (4) 3/8" Nylock Nut (#83019-000) to mount unit to the floor.
4. Adjust the unit to the height required and tighten the bolts.
5. Then mount the foot pedal you are wanting to install.
6. May bend for correct angle.



PART NUMBER	REV.
90572-000	A